

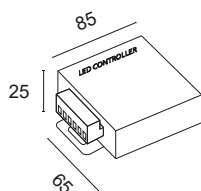
RFL20K control unit

Three-channel control unit for 12Vdc or 24Vdc constant voltage control of RGB LED strips, radio remote control included. On/off function, dimmer, choice of colours, choice of scene speed and active memory. Possibility of expanding the system with up to nine RGB.AMF amplifiers. Installation in unshielded indoor locations.

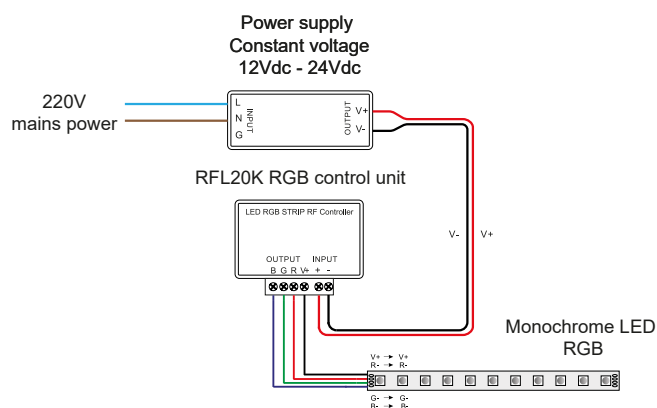
Power supply voltage: $V_{in} = V_{out} - 12/24Vdc$

Output current: 18A - 12/24Vdc

Power rating: 216W@12Vdc - 432W@24Vdc



EXAMPLE OF RGB LED STRIP CONTROL



EXAMPLE OF RGB LED STRIP CONTROL WITH AMPLIFIER

